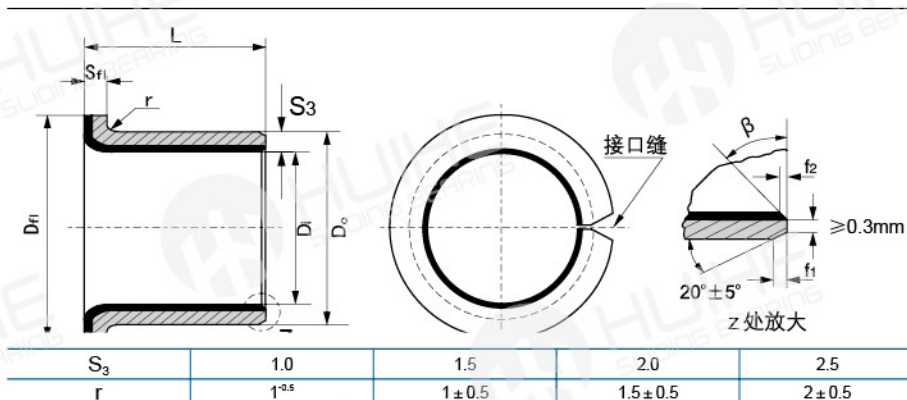


SF-1F 系列自润滑复合法兰轴套 SF-1F Oilless Flange Bushing

www.huihebearing.com



轴径(f7) Shaft D _s	座孔(H7) Housing D _H	(OD) 外径公差 Tolerance D _O	(ID)压装后 内孔公差 After fixed D _{La}	配合间隙 Clearance C _O	Designation 型号规格	Wall thickness 壁厚 S ₃	尺寸 Dimension				
							D _i	D _O	D _H ±0.5	L±0.25	S _{fi} -0.2
6	8	8	6.055 5.990	0.077 0.000	SF-1F 06040	1.005 0.980	6	8	12	4	1
					SF-1F 06070					7	
8	10	10	8.055 7.990	0.083 0.003	SF-1F 08055	1.005 0.980	8	10	15	5.5	1
					SF-1F 08075					7.5	
10	12	12	10.058 9.990	0.086 0.003	SF-1F 10070	1.005 0.980	10	12	18	7	1
					SF-1F 10090					9	
					SF-1F 10120					12	
12	14	14	12.058 11.990	0.092 0.006	SF-1F 12070	1.005 0.980	12	14	20	7	1
					SF-1F 12090					9	
					SF-1F 12120					12	
					SF-1F 14120					12	
14	16	16	14.058 13.990	0.092 0.006	SF-1F 14170	1.005 0.980	14	16	22	17	1
					SF-1F 15090					9	
					SF-1F 15120					12	
15	17	17	15.058 14.990	0.092 0.006	SF-1F 15170	1.005 0.980	15	17	23	17	1
					SF-1F 16120					12	
					SF-1F 16170					17	
16	18	18	16.058 15.990	0.092 0.006	SF-1F 18120	1.005 0.980	16	18	24	12	1
					SF-1F 18170					17	
					SF-1F 18200					20	
18	20	20	18.061 17.990	0.095 0.006	SF-1F 20115	1.005 0.980	18	20	26	17	1
					SF-1F 20170					20	
					SF-1F 20215					11.5	
20	23	23	20.071 19.990	0.112 0.010	SF-1F 20165	1.505 1.475	20	23	30	16.5	1.5
					SF-1F 22150					15	
					SF-1F 22200					20	
22	25	25	22.071 21.990	0.112 0.010	SF-1F 25115	1.505 1.475	22	25	32	11.5	1.5
					SF-1F 25165					16.5	
					SF-1F 25215					21.5	
25	28	28	25.071 24.990	0.126 0.010	SF-1F 30160	2.005 1.970	25	28	35	16	2
					SF-1F 30260					26	
					SF-1F 35160					16	
30	34	34	30.085 29.990	0.135 0.015	SF-1F 35260	2.005 1.970	30	34	42	26	2
					SF-1F 40260					26	
					SF-1F 40400					40	
35	39	39	35.085 34.990	0.135 0.015	SF-1F 35160	2.005 1.970	35	39	47	16	2
					SF-1F 35260					26	
					SF-1F 40260					26	
40	44	44	40.085 39.990	0.135 0.015	SF-1F 40260	2.005 1.970	40	44	53	26	2
					SF-1F 40400					40	